

Appendix

Cross Reference BFT

| Replaced Type | Type | Description |
|---------------|------------------|--|
| ZVS | BFT-H | Cylindrical float, stainless steel |
| ZTS | BFT-H | Cylindrical float, titanium |
| ZVSS | BFT-S | Corrugated float, stainless steel |
| ZTSS | BFT-S | Corrugated float, titanium |
| ZPPS | BFT-P | Plastic float, PP |
| ZPFS | BFT-P | Plastic float, PVDF |
| ZFCS | BFT-F | Foam float |
| ZTKS | BFT-K | Ball-segment float |
| BG10xxx | Successor: BFT-. | Floats in various designs (Phönix). Please contact our Customer Service. |

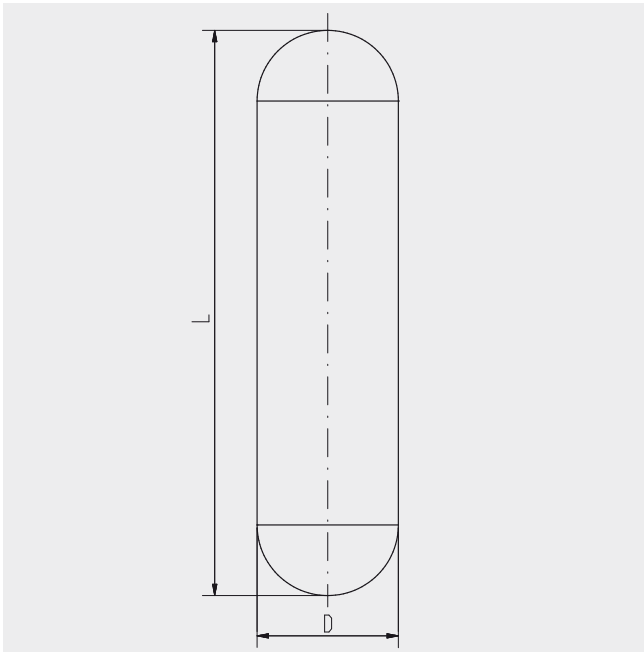
Type Code

| Code | |
|----------|--|
| 1 | Basic type |
| ZVS | Cylindrical float, stainless steel |
| ZTS | Cylindrical float, titanium |
| ZVSS | Corrugated float, stainless steel |
| ZTSS | Corrugated float, titanium |
| ZPPS | Plastic float, PP |
| ZPFS | Plastic float, PVDF |
| ZFCS | Foam float |
| ZTKS | Ball-segment float |
| 2 | Diameter |
| ... | in mm (omitted for OD 50 or 50,8) |
| 3 | Length |
| ... | in mm |
| 4 | Pressure stage |
| ... | in bar |
| 5 | Magnetic system |
| ... | |
| 6 | Interface float (omitted when not required) |
| ... | |

Ordering Example

| | Basic type | Diameter | Length | Pressure stage | Magnetic system | Interface |
|------|------------|----------|--------|----------------|-----------------|-----------|
| Code | 1 | - 2 | - 3 | - 4 | - 5 | - 6 |

BFT-H32

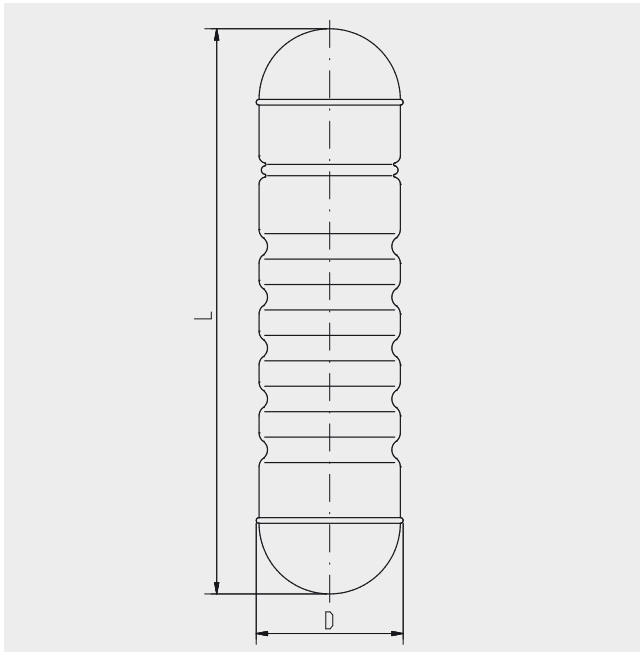


Technical Specifications

Form: Cylindrical float
 Temperature: -200 ... +400°C

| Type | PN | Density range [kg/m ³] | Diameter [mm] | Length [mm] | Material | Order no. |
|---------------------|----|------------------------------------|---------------|-------------|--------------------------|-----------|
| ZVS32/125/PN16/A990 | 16 | 1270 - 2000 | 32 | 125 | Stainless steel (1.4571) | 506369 |
| ZVS32/150/PN16/A990 | 16 | 1090 - 1350 | 32 | 150 | Stainless steel (1.4571) | 030098 |
| ZVS32/180/PN16/A990 | 16 | 940 - 1110 | 32 | 180 | Stainless steel (1.4571) | 029781 |
| ZVS32/210/PN16/A990 | 16 | 850 - 980 | 32 | 210 | Stainless steel (1.4571) | 100430 |
| ZVS32/245/PN16/A990 | 16 | 780 - 880 | 32 | 245 | Stainless steel (1.4571) | 110570 |
| ZVS32/285/PN16/A990 | 16 | 730 - 800 | 32 | 285 | Stainless steel (1.4571) | 032023 |
| ZVS32/125/PN40/A990 | 40 | 1360 - 2000 | 32 | 125 | Stainless steel (1.4571) | 506374 |
| ZVS32/155/PN40/A990 | 40 | 1140 - 1400 | 32 | 155 | Stainless steel (1.4571) | 030108 |
| ZVS32/185/PN40/A990 | 40 | 1010 - 1180 | 32 | 185 | Stainless steel (1.4571) | 029808 |
| ZVS32/225/PN40/A990 | 40 | 900 - 1020 | 32 | 225 | Stainless steel (1.4571) | 030107 |
| ZVS32/265/PN40/A990 | 40 | 820 - 910 | 32 | 265 | Stainless steel (1.4571) | 030106 |
| ZVS32/315/PN40/A990 | 40 | 760 - 830 | 32 | 315 | Stainless steel (1.4571) | 029828 |
| ZTS32/125/PN40/A990 | 40 | 1130 - 2000 | 32 | 125 | Titanium (3.7035) | 029834 |
| ZTS32/160/PN40/A990 | 40 | 900 - 1100 | 32 | 160 | Titanium (3.7035) | 029835 |
| ZTS32/200/PN40/A990 | 40 | 770 - 900 | 32 | 200 | Titanium (3.7035) | 030104 |
| ZTS32/240/PN40/A990 | 40 | 670 - 770 | 32 | 240 | Titanium (3.7035) | 030293 |
| ZTS32/290/PN40/A990 | 40 | 610 - 680 | 32 | 290 | Titanium (3.7035) | 030090 |
| ZTS32/350/PN40/A990 | 40 | 560 - 620 | 32 | 350 | Titanium (3.7035) | 030743 |
| ZTS32/420/PN40/A990 | 40 | 530 - 570 | 32 | 420 | Titanium (3.7035) | 030101 |
| ZTS32/510/PN40/A990 | 40 | 490 - 530 | 32 | 510 | Titanium (3.7035) | 031537 |

BFT-S50

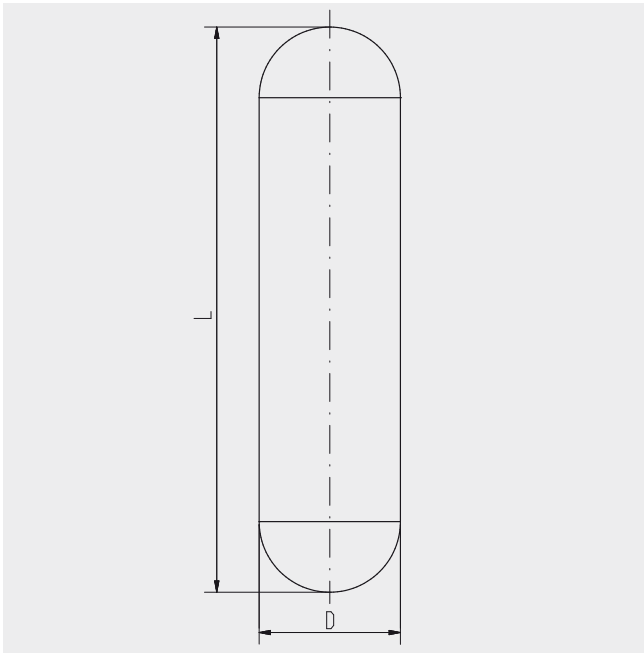


Technical Specifications

Form: Corrugated float
 Temperature: -50 ... +200°C

| Type | PN | Density range [kg/m ³] | Diameter [mm] | Length [mm] | Material | Order no. |
|-------------------|----|------------------------------------|---------------|-------------|--------------------------|-----------|
| ZVSS150/PN25/R48H | 25 | 990 - 2000 | 50 | 150 | Stainless steel (1.4571) | 029044 |
| ZVSS185/PN25/R48H | 25 | 830 - 1000 | 50 | 185 | Stainless steel (1.4571) | 029045 |
| ZVSS225/PN25/R48H | 25 | 730 - 840 | 50 | 225 | Stainless steel (1.4571) | 029046 |
| ZVSS275/PN25/R48H | 25 | 640 - 730 | 50 | 275 | Stainless steel (1.4571) | 029047 |
| ZVSS335/PN25/R48H | 25 | 590 - 650 | 50 | 335 | Stainless steel (1.4571) | 029048 |
| ZVSS400/PN25/R48H | 25 | 550 - 600 | 50 | 400 | Stainless steel (1.4571) | 031229 |
| ZVSS470/PN25/R48H | 25 | 520 - 560 | 50 | 470 | Stainless steel (1.4571) | 031230 |
| ZVSS555/PN25/R48H | 25 | 490 - 530 | 50 | 555 | Stainless steel (1.4571) | 031231 |
| ZVSS650/PN25/R48H | 25 | 470 - 500 | 50 | 650 | Stainless steel (1.4571) | 031232 |
| ZTSS150/PN25/R48H | 25 | 820 - 2000 | 50,8 | 150 | Titanium (3.7035) | 031235 |
| ZTSS180/PN25/R48H | 25 | 710 - 850 | 50,8 | 180 | Titanium (3.7035) | 030683 |
| ZTSS215/PN25/R48H | 25 | 600 - 710 | 50,8 | 215 | Titanium (3.7035) | 030684 |
| ZTSS250/PN25/R48H | 25 | 540 - 610 | 50,8 | 250 | Titanium (3.7035) | 029034 |
| ZTSS300/PN25/R48H | 25 | 480 - 540 | 50,8 | 300 | Titanium (3.7035) | 029035 |
| ZTSS355/PN25/R48H | 25 | 430 - 490 | 50,8 | 355 | Titanium (3.7035) | 029036 |
| ZTSS410/PN25/R48H | 25 | 400 - 440 | 50,8 | 410 | Titanium (3.7035) | 029037 |
| ZTSS465/PN25/R48H | 25 | 380 - 410 | 50,8 | 465 | Titanium (3.7035) | 029038 |
| ZTSS525/PN25/R48H | 25 | 370 - 390 | 50,8 | 525 | Titanium (3.7035) | 029039 |
| ZTSS595/PN25/R48H | 25 | 360 - 380 | 50,8 | 595 | Titanium (3.7035) | 029040 |
| ZTSS680/PN25/R48H | 25 | 340 - 370 | 50,8 | 680 | Titanium (3.7035) | 029041 |

BFT-H



Technical Specifications

| Code 1 Basic type | Code 2 Diameter | Code 3 Length | Code 4 Pressure stage | Code 5 Magnetic system | [Code 6 Interface] |
|----------------------|--------------------|------------------|--------------------------|---------------------------|-----------------------|
| ZVS | [omitted] | ... | PN ... | ... | [...] |

s. Type code

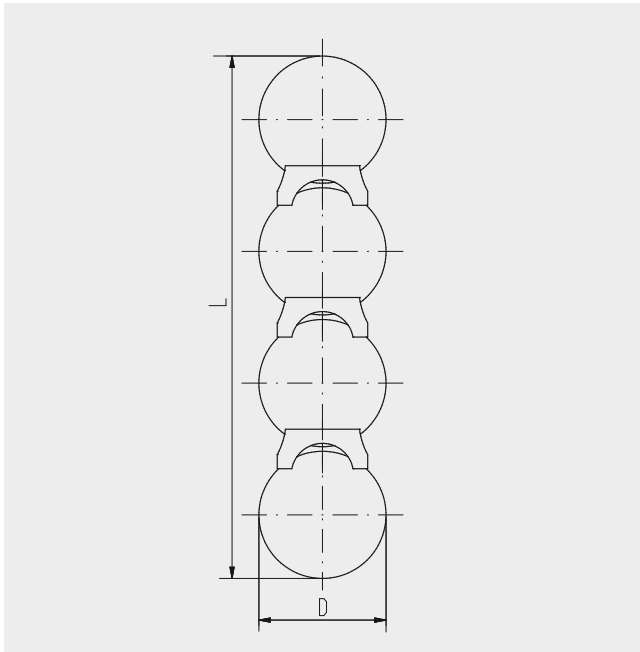
Design and float specification depending on pressure, density and temperature.

| | |
|----------------|---|
| Form: | Cylindrical float |
| Material: | Stainless steel 1.4571 |
| Diameter: | 50 mm |
| Length: | 150 – 650 mm (depends on pressure, density and temperature) |
| Max. pressure: | < 40 bar |
| Temperature: | -200 ... +450°C |

| Code 1 Basic type | Code 2 Diameter | Code 3 Length | Code 4 Pressure stage | Code 5 Magnetic system | [Code 6 Interface] |
|----------------------|--------------------|------------------|--------------------------|---------------------------|-----------------------|
| ZTS | ... | ... | PN ... | ... | [...] |

| | |
|----------------|---|
| Form: | Cylindrical float |
| Material: | Titanium 3.7035 |
| Diameter: | 45 / 50,8 / 60 mm |
| Length: | 150 – 650 mm (depends on pressure, density and temperature) |
| Max. pressure: | < 100 bar |
| Temperature: | -200 ... +450°C |

BFT-K



Technical Specifications

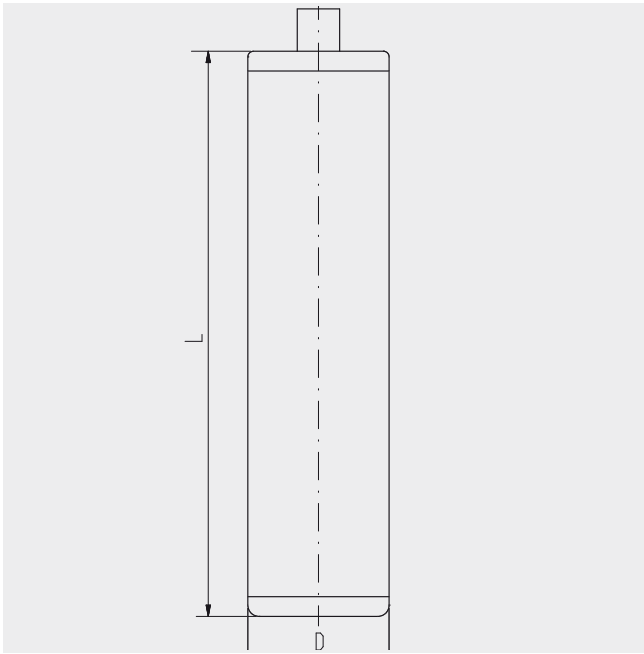
| Code 1 Basic type | Code 2 Diameter | Code 3 Length | Code 4 Pressure stage | Code 5 Magnetic system | [Code 6 Interface] |
|----------------------|--------------------|------------------|--------------------------|---------------------------|-----------------------|
| ZTKS | ... | ... | PN ... | ... | [...] |

s. Type code

Design and float specification depending on pressure, density and temperature.

| | |
|----------------|---|
| Form: | Ball-segment float |
| Material: | Titanium 3.7035 |
| Diameter: | 45 / 50,8 / 60 mm |
| Length: | 150 – 700 mm (depends on pressure, density and temperature) |
| Max. pressure: | < 250 bar |
| Temperature: | -200 ... +450°C |

BFT-P



Technical Specifications

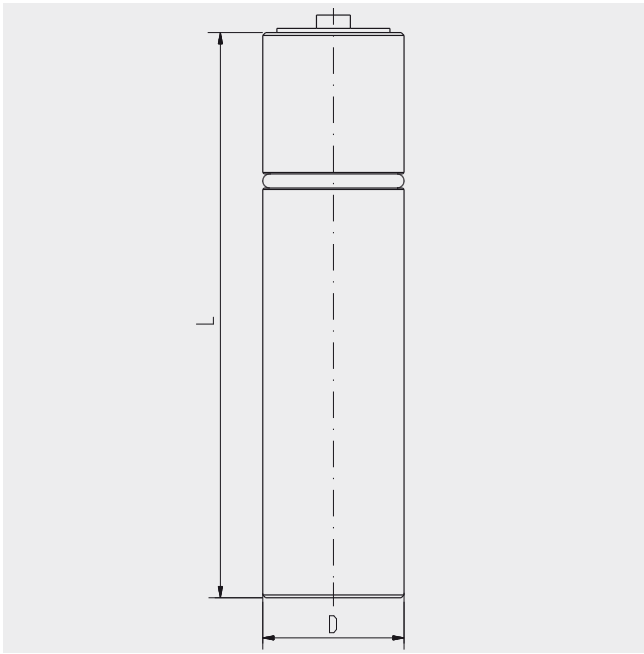
| Code 1 Basic type | Code 2 Diameter | Code 3 Length | Code 4 Pressure stage | Code 5 Magnetic system | [Code 6 Interface] |
|----------------------|--------------------|------------------|--------------------------|---------------------------|-----------------------|
| ZPPS ZPFS | [omitted] | ... | PN ... | ... | [...] |

s. Type code

Design and float specification depending on pressure, density and temperature.

| | |
|----------------|---|
| Form: | Plastic float |
| Material: | PP / PVDF |
| Diameter: | 50 mm |
| Length: | 150 – 450 mm (depends on pressure, density and temperature) |
| Max. pressure: | < 6 bar |
| Temperature: | -20 ... +80°C (PP) -50 ... +100°C (PVDF) |

BFT-F



Technical Specifications

| Code 1 Basic type | Code 2 Diameter | Code 3 Length | Code 4 Pressure stage | Code 5 Magnetic system | [Code 6 Interface] |
|----------------------|--------------------|------------------|--------------------------|---------------------------|-----------------------|
| ZFCS | ... | ... | PN ... | ... | [...] |

s. Type code

Design and float specification depending on pressure, density and temperature.

| | |
|----------------|---|
| Form: | Foam float |
| Material: | Syntactic Foam |
| Diameter: | 40 - 80 mm |
| Length: | 150 – 750 mm (depends on pressure, density and temperature) |
| Max. pressure: | < 600 bar |
| Temperature: | -20 ... +100°C |

© 2014 KSR KUEBLER Niveau-Messtechnik AG, all rights reserved.
The specifications given in this document represent the state of engineering at the time of publishing.
We reserve the right to make modifications to the specifications and materials.



KSR KUEBLER Niveau-Messtechnik AG
Heinrich-Kuebler-Platz 1
69439 Zwingenberg/Germany
Tel. +49 6263 87-0
Fax +49 6263 8799
info@ksr-kuebler.com
www.ksr-kuebler.com